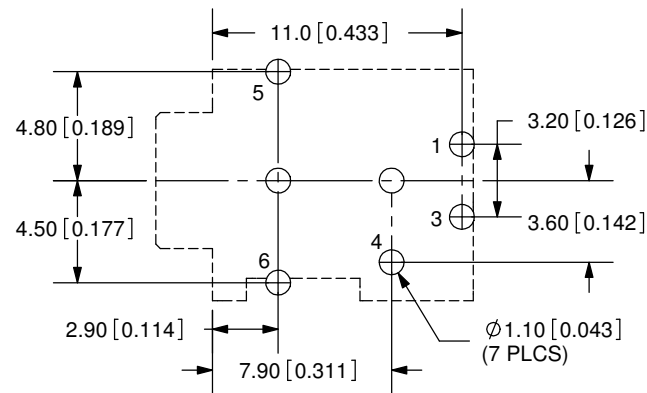
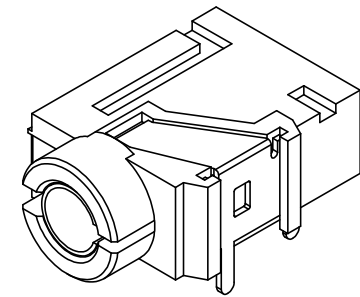
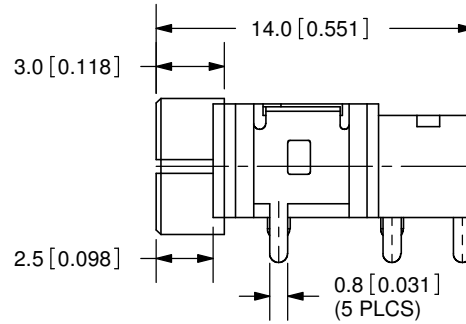
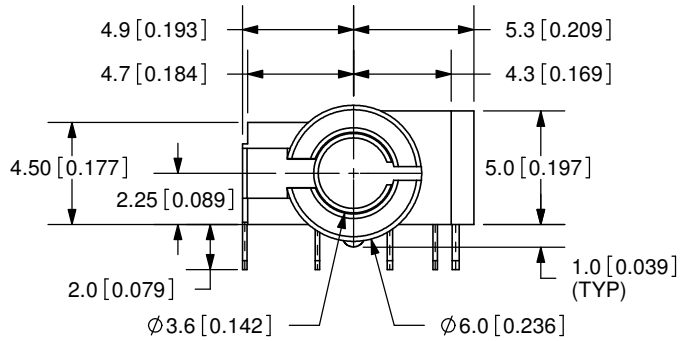
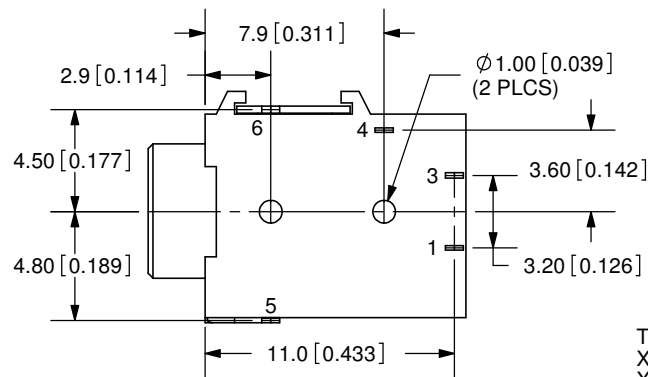


REV.	DESCRIPTION	DATE
A	NEW DRAWING	9/12/2006



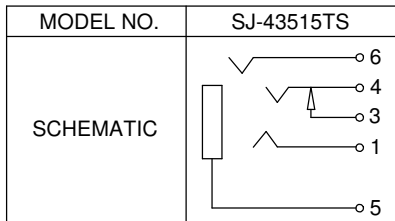
PCB LAYOUT
TOP VIEW



TOLERANCE:
X.X ± 0.2 mm
X.XX ± 0.1 mm
X.XXX ± 0.05 mm



SPECIFICATIONS:
RATING: 16V DC @ 300mA
CONTACT RESISTANCE: 100m OHMS MAX
INSULATION RESISTANCE: 100M OHMS MIN: 500V DC
VOLTAGE WITHSTAND: 500V AC R.M.S. FOR 1 MINUTE
LIFE: 5,000 CYCLES



	MATERIAL	PLATING
TERMINAL 1	Phosphor Bronze	Tin
TERMINAL 3	Brass	Tin
TERMINAL 4	Copper Titanium	Tin
TERMINAL 5	Phosphor Bronze	Gold
TERMINAL 6	Phosphor Bronze	Tin
BUSHING	Brass	Nickel
HOUSING	PBT	



20050 SW 112th Ave.
Tualatin, OR 97062
Phone: 503-612-2300
800-275-4899
Fax: 503-612-2383
Website: www.cui.com

TITLE:	AUDIO JACK W/4 CONDUCTORS 3.5mm	REV:	A
PART NO.	SJ-43515TS	UNITS:	MM [INCHES]
DRAWN BY:	ZRJ	APPROVED BY:	
		SCALE:	3:1

PC FILE NAME:
SJ-43515TS

COPYRIGHT 2007 BY CUI INC.